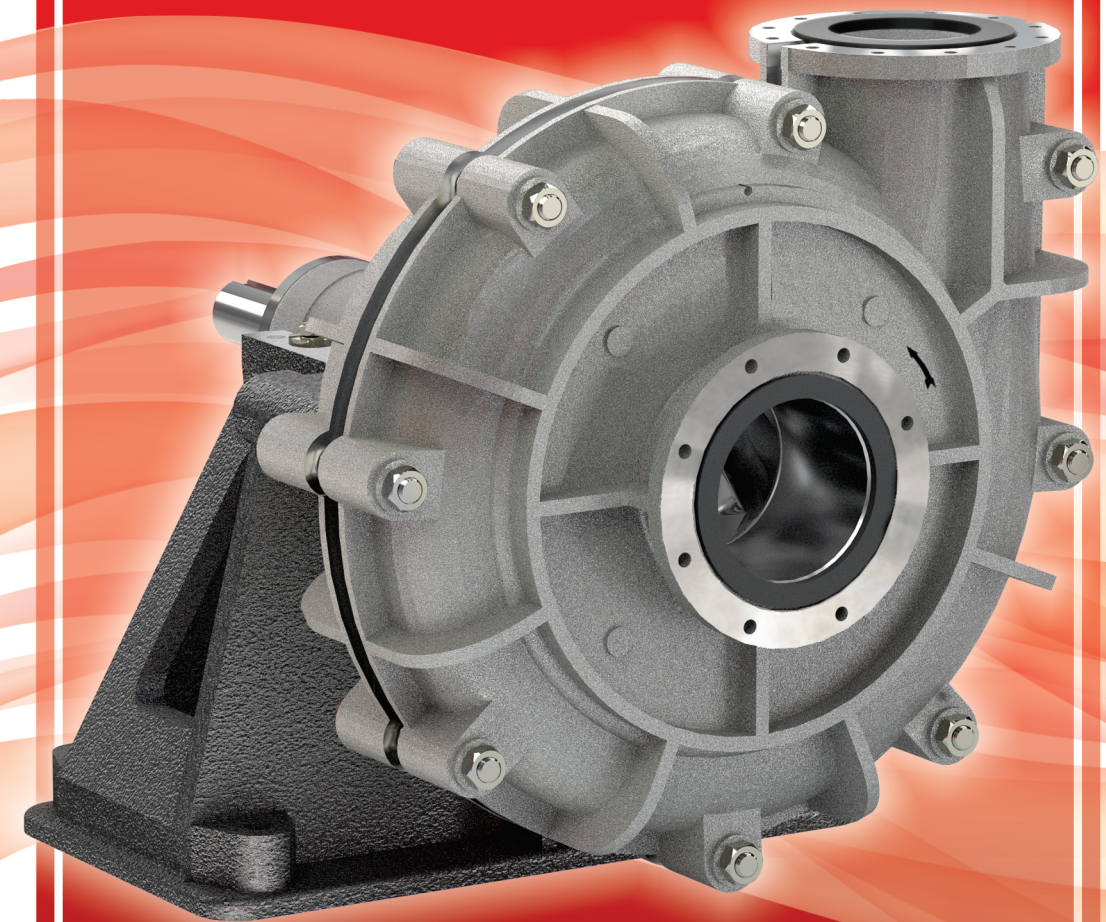


BTM is an associate company of Akay Industries Pvt Ltd

chemflo[®]



chemflo[®]



BTM PROCESS CONTROLS PVT LTD.

Address: Plot No 162/A&162/B Gamanagatti Industrial Estate
Hubballi Karnataka 580024 | Tel: +91 (0) 836-2486001/02

Email: business@btmprocesscontrols.com

Web: www.btmprocesscontrols.com



**TYPE AHP - TYPE AVP
HEAVY DUTY SLURRY PUMPS**

AHP FEATURES

⑥ SHAFT

A large diameter shaft with a short overhang minimises deflection and vibration.

④ SHAFT SLEEVE

A hardened, heavy duty corrosion resistant sleeve with 'O' Ring seals at both ends protects the shaft. A slip fit allows the sleeve to be removed or installed quickly.

⑧ BEARING

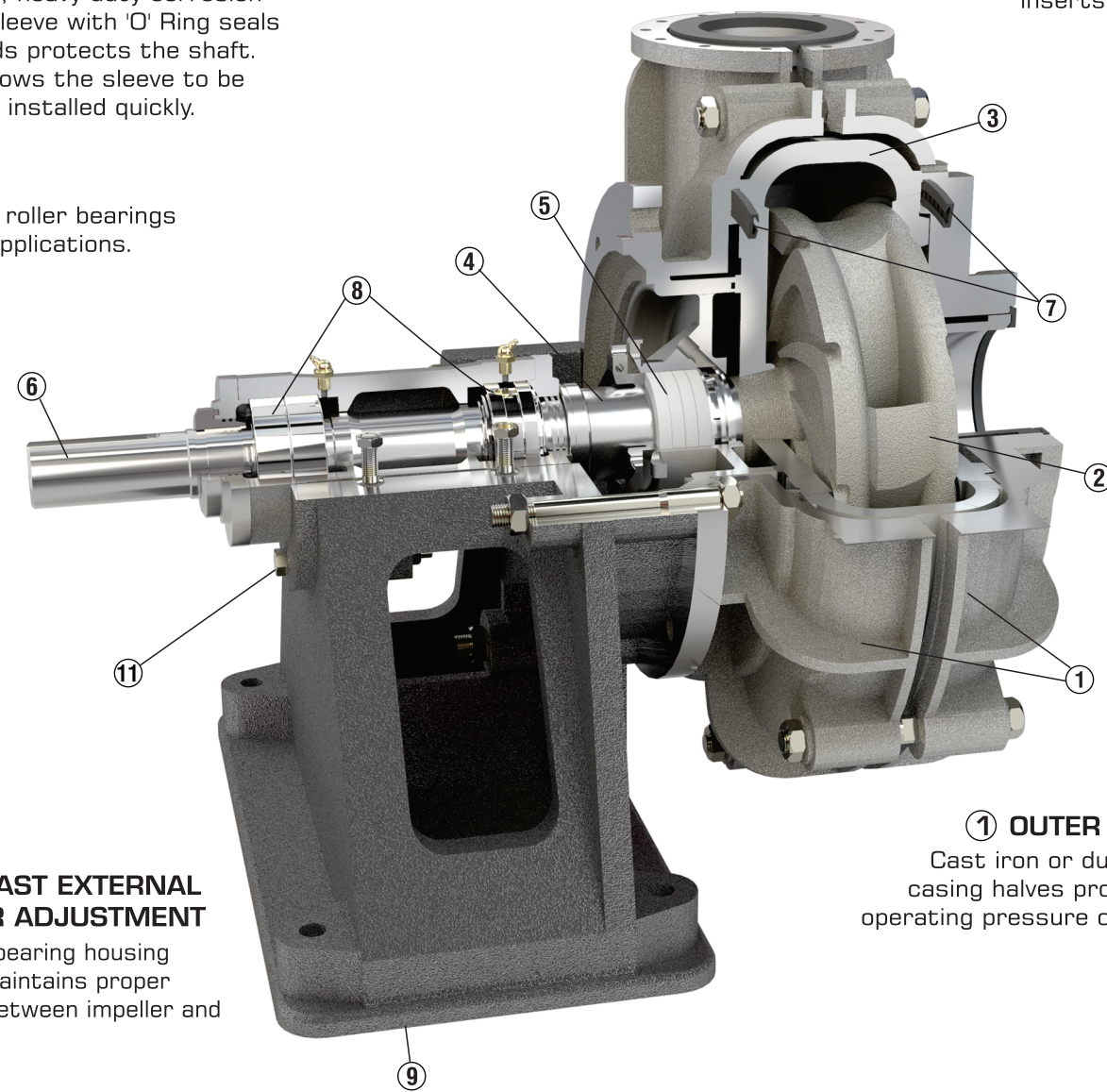
Heavy duty roller bearings for tough applications.

⑤ SEALING FLEXIBILITY

Choice of packed box or centrifugal sealing.

② IMPELLER

The impeller may be either moulded elastomer or hard metal. Deep side sealing vanes relieve seal pressure and minimise recirculation. Cast-in impeller threads are better suited for slurries than impeller inserts or nuts.



⑪ SIMPLE-FAST EXTERNAL IMPELLER ADJUSTMENT

Adjustable bearing housing assembly maintains proper clearance between impeller and casing.

⑨ PUMP BASE

A one piece casting cradles the cartridge bearing assembly. A minimum number of through bolts hold the pump casing to the frame. A means of impeller adjustment is provided in a convenient position below the bearing housing.

⑦ SEALING RELIABILITY

Elastomer Seal rings give positive seals between match faces.

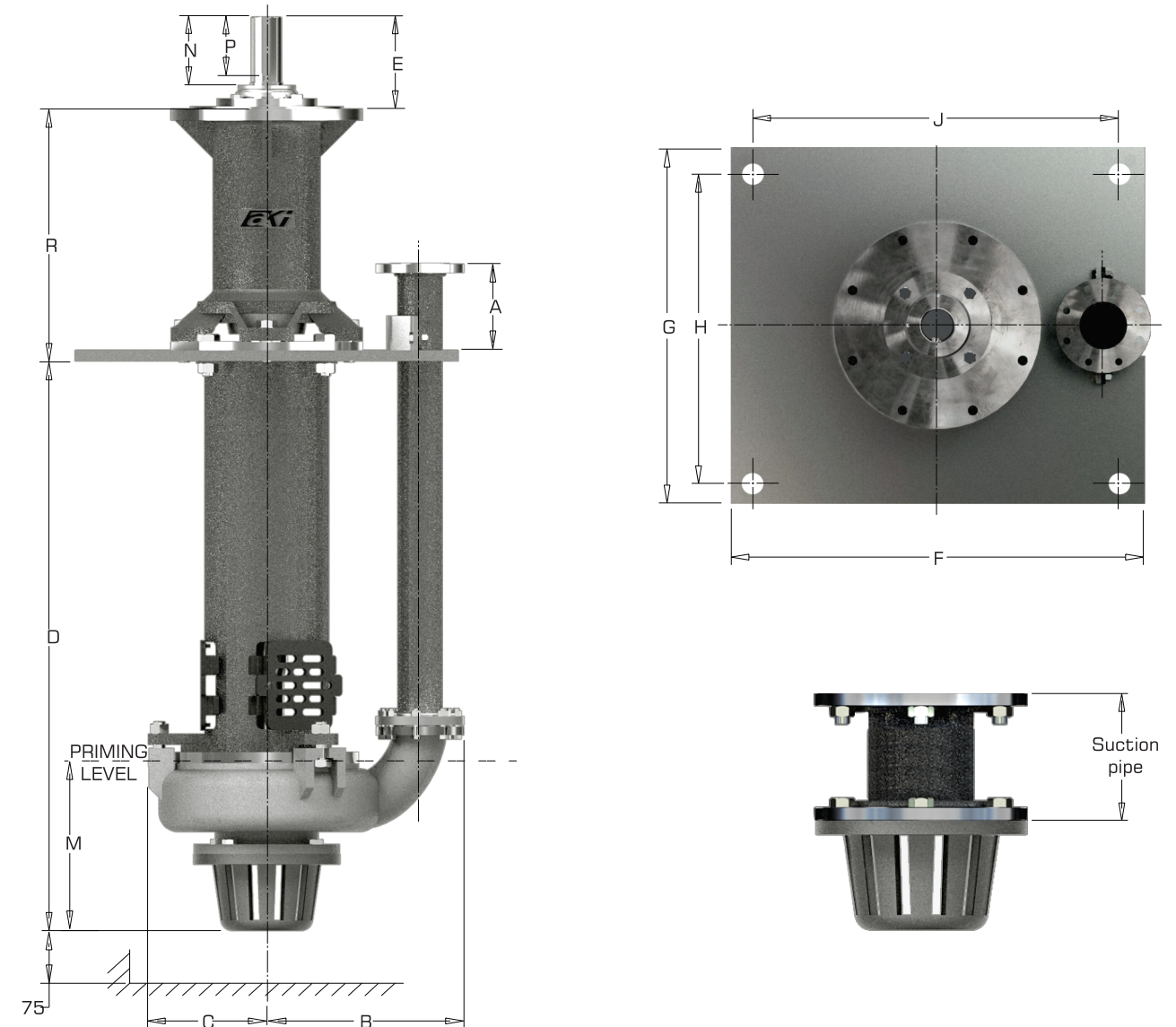
① OUTER CASING

Cast iron or ductile iron casing halves provide high operating pressure capability.

③ VOLUTE LINERS

Replaceable liners are available in both hard metals and pressure moulded elastomers and are fully interchangeable within the same pump.

AVP DIMENSIONS



MODELS	A	B	C	*D Standard	E	F	G	H	J	M	N	P	R
40 PV-SP	137	285	153	900	380	500	500	450	450	174	85	75	135
65 QV-SP	227	399	231	1200	492	680	680	620	620	265	110	95	174
100 RV-SP	260	538	317	1500	662	1000	870	800	930	393	170	155	238
150 SV-SP	390	670	365	1800	875	1100	1100	1030	1030	475	210	200	300
40 PV-SPR	140	265	175	900	380	500	500	450	450	174	85	75	135
65 QV-SPR	230	380	260	1200	498	680	680	620	620	265	110	95	174
100 RV-SPR	266	535	332	1500	668	1000	870	800	930	393	170	155	238
150 SV-SPR	395	670	400	1800	883	1100	1100	1030	1030	475	210	200	300

* Other than standard submergence offered with suction pipe.

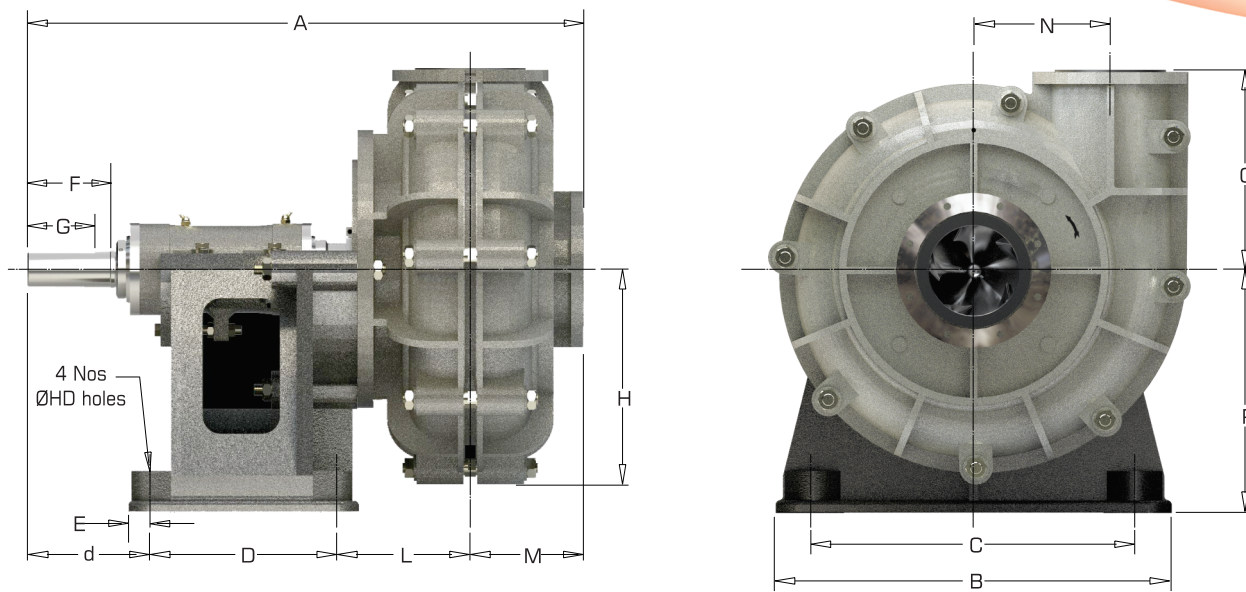


chemflo®



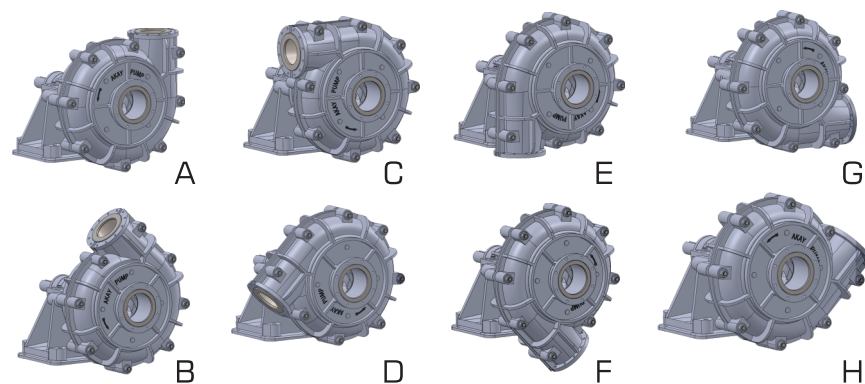
chemflo®

AHP DIMENSIONS



MODELS	A	B	C	D	d	E	L	M	N	P	Q	H	HD BOLT Ø	F	G
1 1/2 / 1 B-AH	583	295	254	143	153	24	181	106	98	197	171	-	14	79	70
2 / 1 1/2 B-AH	592	295	254	143	153	24	184	114	114	197	184	-	14	79	70
3 / 2 C-AH	768	406	356	175	209	32	233	151	138	254	210	-	19	121	111
4 / 3 C-AH	843	406	356	175	211	32	270	187	147	254	262	-	19	121	111
4 / 3 D-AH	943	492	432	213	271	38	279	187	149	330	262	-	22	164	149
6 / 4 D-AH	1021	492	432	213	271	38	318	219	229	330	338	-	22	164	149
6 / 4 E-AH	1178	622	546	257	351	54	351	219	229	457	338	-	29	222	203
8 / 6 E-AH	1302	622	546	257	351	54	402	292	318	457	460	519	29	222	203
10 / 8 E-M	1337	622	546	257	359	54	403	318	381	457	470	540	29	222	202
12 / 10 E-M	1348	622	546	257	356	54	411	324	438	457	470	603	29	222	203
8 / 6 R-AH	1360	680	560	490	266	50	312	292	318	350	460	520	28	215	175
10 / 8 R-M	1395	680	560	490	273	50	314	318	381	350	470	540	28	215	175
12 / 10 R-M	1406	680	560	490	273	50	322	324	438	350	470	603	28	215	175
10 / 8 ST-AH	1748	1150	900	620	356	80	439	333	419	650	635	623	48	280	236
12 / 10 ST-AH	1816	1150	900	620	354	80	461	381	464	650	673	715	48	280	236
14 / 12 ST-AH	2138	1150	900	620	354	80	457	406	629	851	832	873	48	280	236

DISCHARGE ORIENTATION



The discharge position of most type `AH` heavy duty slurry pumps can be oriented in any one of eight positions.

The discharge positions can be readily changed at any time without modification to the pump.

AHP

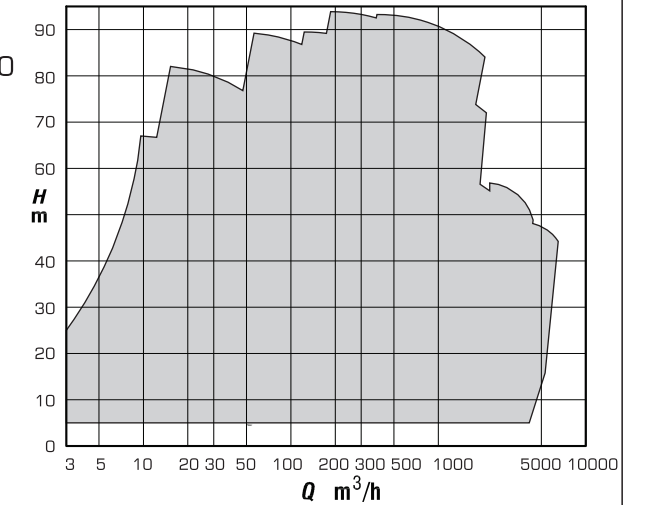
RANGE

- Capacity to 5000 m³/h Working Pressure to 1600 kPa
- Head to 93 m Discharge Size DN25 to DN450

FEATURES

- A split outer casing enables to replace worn out inner liners without reducing structural strength.
- A large range of elastomer and hard metal replaceable liners and impellers are fully interchangeable within the same pump
- An extremely heavy duty shaft with a short overhang minimises deflection and vibration.
- Heavy duty grease lubricated roller bearings are protected with labyrinth seals at both ends.
- Cartridge type bearing assembly.

HYDRAULIC COVERAGE

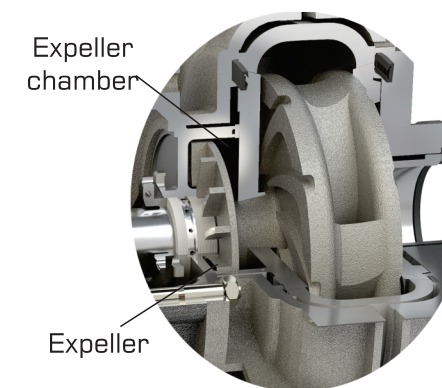


CENTRIFUGAL SHAFT SEALING

The purpose of Centrifugal sealing is to eliminate leakage through gland when the pump is running.

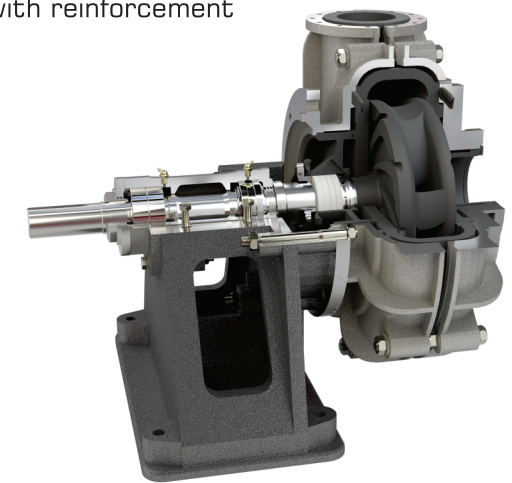
PRINCIPAL OF OPERATION

When the pump is running, the expeller by its centrifugal action creates a liquid interface seal in the expeller chamber, which prevents the leakage of pumped media and penetration of air into the pump. When the pump is idle, there is a negligible amount of leakage through packing.



SLURRY PUMP WITH RUBBER CONSTRUCTION

- Cartridge type bearing assembly is common for both metal lined and rubber lined construction.
- Replaceable rubber liners are interchangeable with hard metal liners.
- Impellers & Throat bush are moulded elastomer with reinforcement



SERVICES

- Mining & ore processing
- Coal processing
- Power station application
- Industrial applications such as Slag & Sludge removal, process liquor recirculation, Scrubber service

APPLICATIONS

- Abrasive & corrosive slurries
- Liquid containing large particle size
- High density slurries

AVP FEATURES

AVP

① CASING

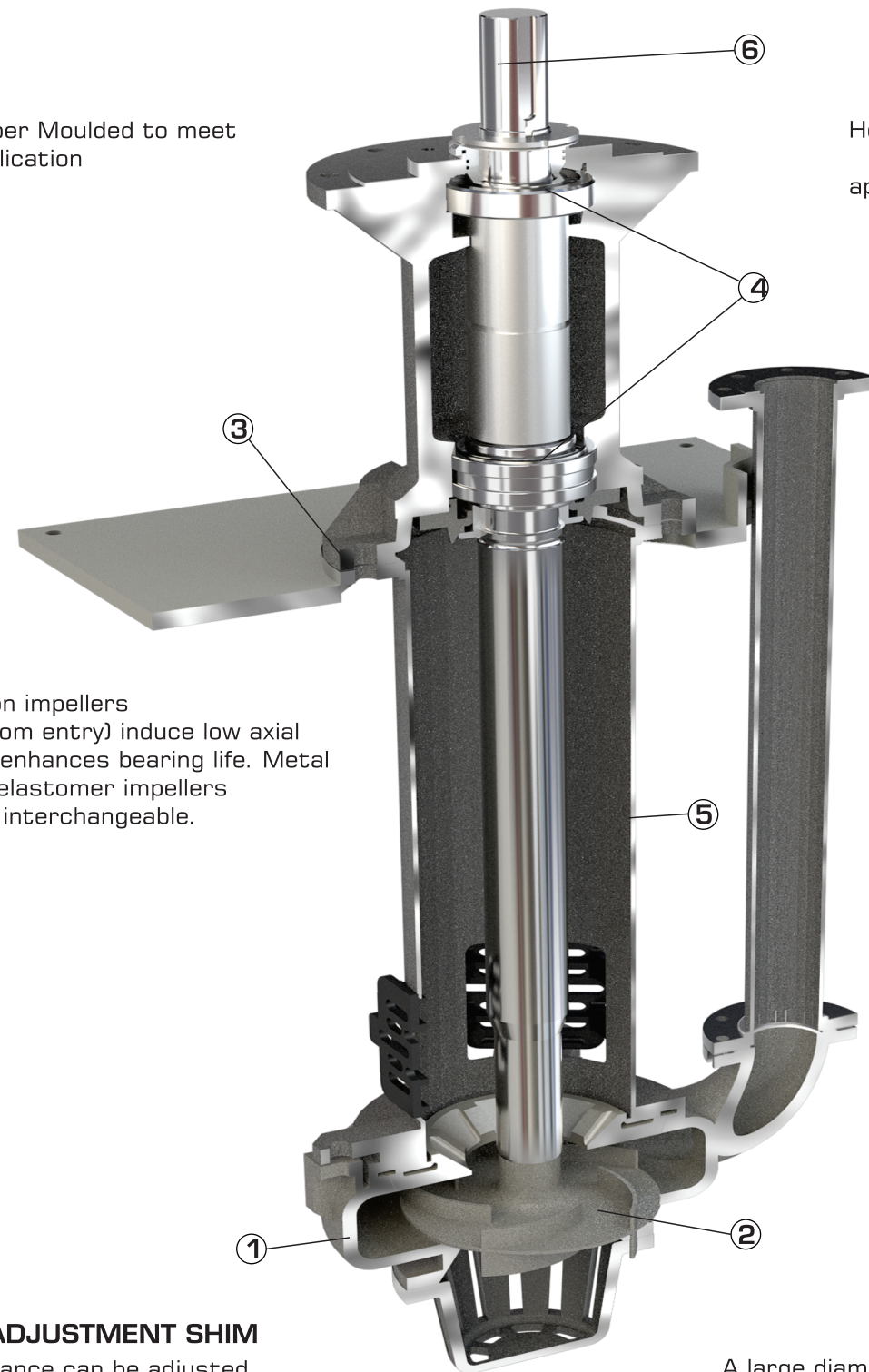
Metal or rubber Moulded to meet toughest application

② IMPELLER

Double suction impellers (top and bottom entry) induce low axial bearing load enhances bearing life. Metal and moulded elastomer impellers dimensionally interchangeable.

③ IMPELLER ADJUSTMENT SHIM

Impeller clearance can be adjusted by providing shims below bearing housing legs



④ BEARING

Heavy duty taper roller bearings for tough applications & long life.

⑤ COLUMN

Metal or elastomers covered

⑥ SHAFT

A large diameter shaft minimises deflection and vibration

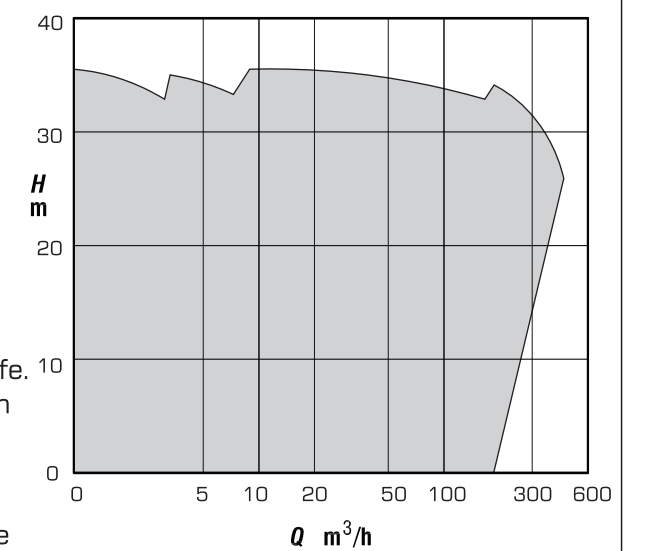
RANGE

- Capacity to 450 m³/h
- Head to 35 m
- Discharge size 40mm to 200mm
- Max. Submergence 2000mm

FEATURES

- Double suction impeller balances axial thrust and hence increases bearing life
- Heavy duty cantilever shaft to yield low deflection
- Heavy duty roller bearing on drive end and two row taper roller bearing at lower end of bearing housing enhances life.
- Bearing assembly dimensionally interchangeable between metal & Elastomer
- Impeller adjusted axially by means of shims underneath bearing housing feet
- Upper & lower strainer are provided to limit particle size entering into the pump.

HYDRAULIC COVERAGE



SLURRY PUMP WITH RUBBER CONSTRUCTION

- Impeller, casing, & back plate are moulded elastomer with reinforcement.
- Remaining Wetted components are lined with elastomer.
- Fasteners are protected by socket head elastomer cap
- Bearing assembly dimensionally interchangeable between metal & Elastomer
- Impeller adjusted axially by means of shims underneath bearing housing feet
- Pump is driven by either direct drive or pulley drive arrangement
- Rigid motor support located on the bearing housing with adjustable motor support for adjusting belt tension.



SERVICES

- Mining & ore processing
- Coal processing
- Power station application
- Industrial applications such as Slag & Sludge removal, process liquor recirculation, Scrubber service

APPLICATIONS

- Abrasive & corrosive slurries
- Liquid containing large particle size
- High density slurries